

**Installation and maintenance instructions**

1. Turn off power to the air handler
2. Remove the existing filter from the 1" track.
3. You may choose to use the Adapter power supply, or the 24V AC power source in your Air Handler. If you wish to connect directly to the Air Handler 24V power supply, proceed to step 5.
4. Use Adapter 110/24 VAC Class 2 plug-in adapter. This adapter is included with your Air Panel. Proceed to Step 7. Alternatively you may choose to use the internal 24V in your Air Handler.  
 WARNING: All electrical work should be performed by a qualified electrician.
5. All forced-air systems have an internal 24 volt AC power source to which the Electro Breeze Air Cleaner may be connected without overloading other circuits. Before connecting your Air Panel, you must locate the 24 volt AC power source.
6. After locating the 24 VAC power supply, connect the leads of the power cord illustrated in our electrical wiring diagram. See diagram (Typical Terminal Block Configuration)
7. Slide the Aeriale Air Panel into the 1" Inch track and plug the power cord into the power head. (As shown below)

**To replace Collector Cushion Pad**

1. Turn off the power on the air handler.
2. Open the air handler filter access door.
3. Unplug the 24 volt power-cord from the power head.
4. Remove the electro Breeze Air Cleanerl.
5. Clean heavy accumulated dust on the outside screen with a vacuum.
6. Open the front panel of the Air Cleaner and remove the old Collector Cushion Pad. Discard it into a garbage bag.
7. Insert the new Collector Cushion Pad by sliding the electrode into the color tube inside the Cushion Pad.
8. Close the Air Cleaner and plug the 24 volt power cord into the power head.
9. Restore the air handler power.

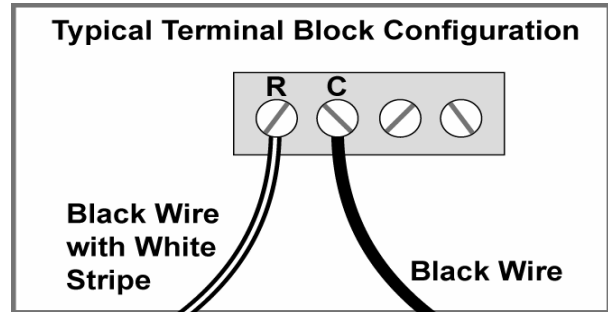
Note: You may hear a little snapping noise at the beginning. This is normal because of variations in temperature and humidity. This noise should cease after a few hours of operation. If the noise persists, contact your nearest Electro Breeze Air cleaner dealer.

**Periodical Operation Maintenance**

Your collector cushion pad should last 2 to 4 months, depending on the amount of air pollutants and fan usage. For maximum effectiveness of the Electro Breeze Air Cleaner, we recommend that the fan control on the thermostat be in the "ON" position.

**Warning**

Failure to change the collector pad on a regular basis will result in a reduction of air flow through the air handler system. This can cause short cycling of your air handler system and may cause damage to your equipment.



Finally, the Electro Breeze Air Cleaner is the most efficient, and powerful electronic Air Cleaner on the market today. Properly installed, Electro Breeze Air Cleaner create a healthier living environment by removing harmful air pollutants.

