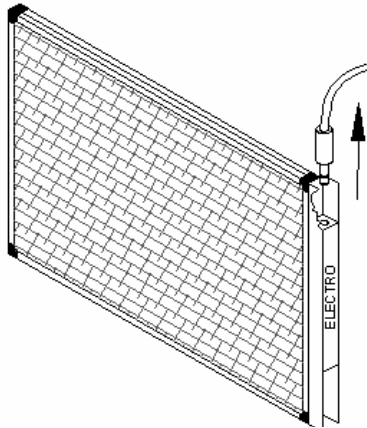


ELECTRONIC AIR CLEANER MAINTENANCE INSTRUCTION

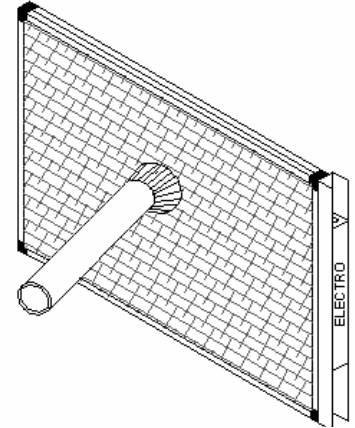
1

Slide air cleaner out from its housing and disconnect power plug.



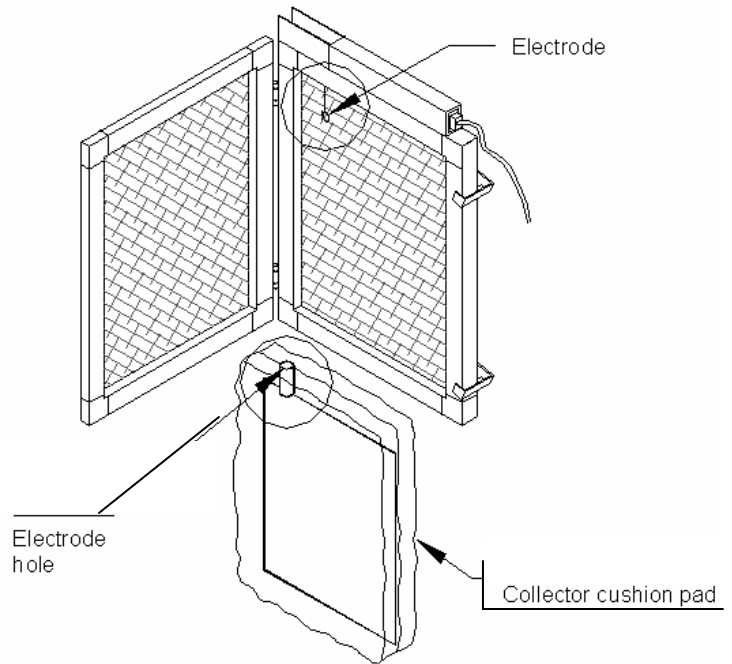
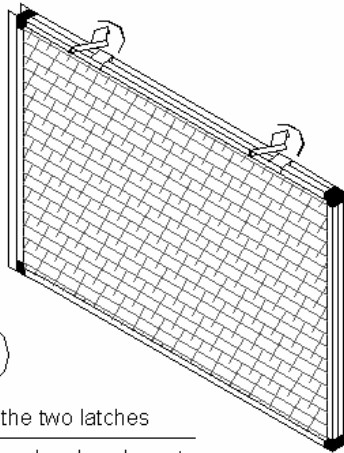
2

Vacuum heavy dust from outside screen.



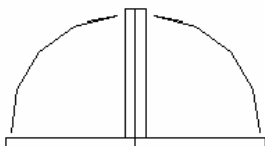
3

Open the two latches
Soulever les deux loquets



5

With the air cleaner lying flat, close to a vertical position and close the two latches.



4

Replace with a new ELECTRO collector cushion pad.
Make sure to insert the electrode into the electrode hole.

6

Do not wash or immerse air cleaner in the water.

