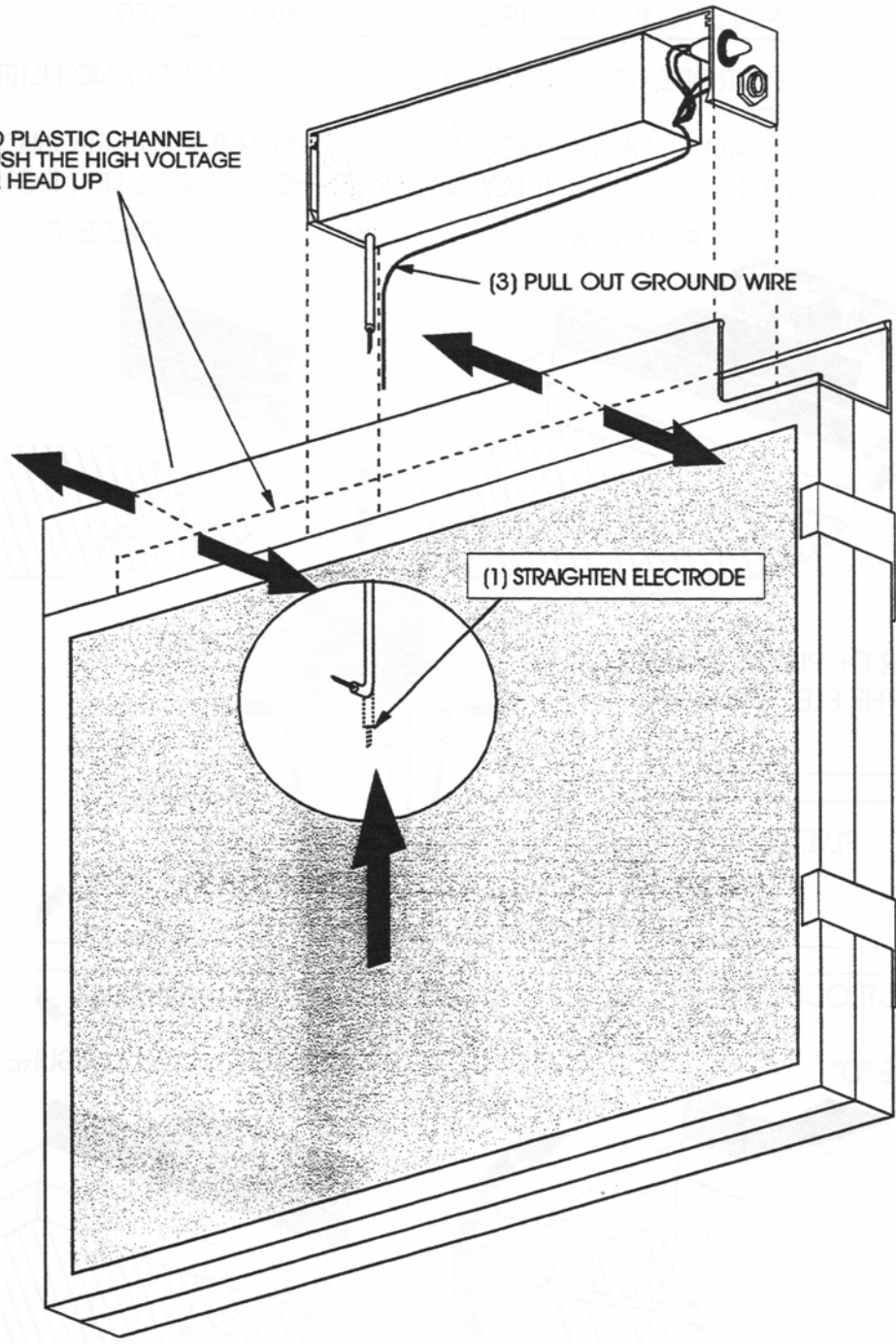


TO REMOVE POWER HEAD

(2) SPREAD PLASTIC CHANNEL
AND PUSH THE HIGH VOLTAGE
POWER HEAD UP

(3) PULL OUT GROUND WIRE

(1) STRAIGHTEN ELECTRODE



INSERT THE GROUND WIRE THROUGH THE HOLE IN THE CHANNEL AND FILTER FRAME (FIGURE "A")

INSERT THE ELECTRODE THROUGH THE HOLE IN THE CHANNEL AND FILTER FRAME. (FIGURE "B")

SPREAD THE CHANNEL OPEN, (FIGURE "C") AND PUSH THE ELECTRONICS BOX INTO THE CHANNEL UNTIL IT LOCKS UNDER THE CHANNEL LIP.

