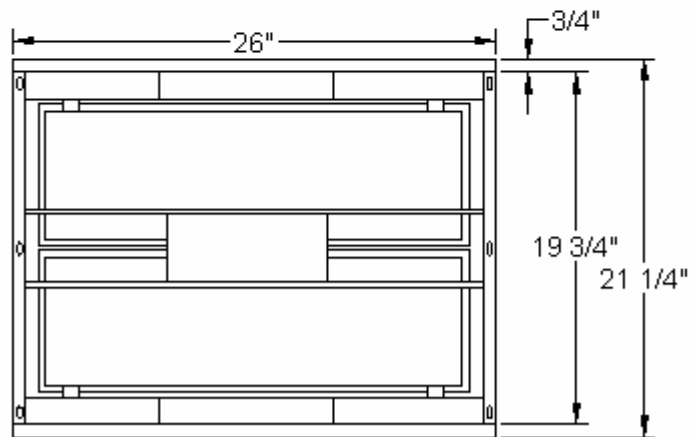
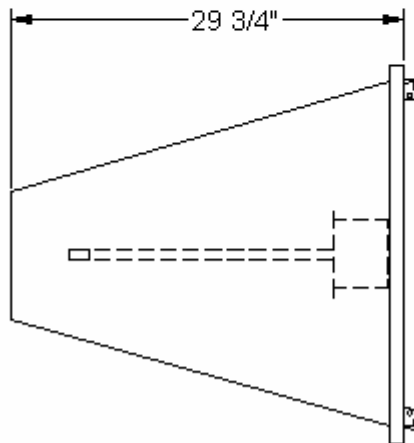
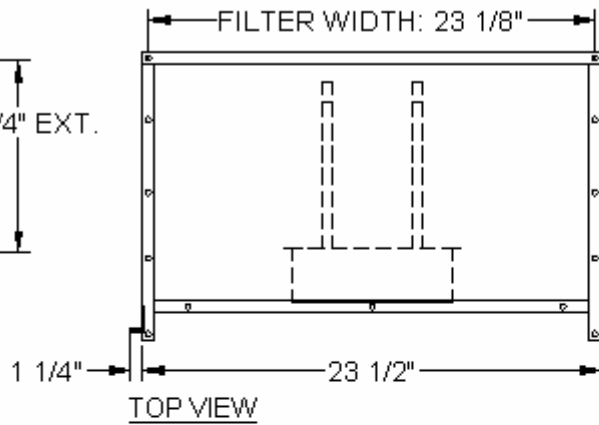
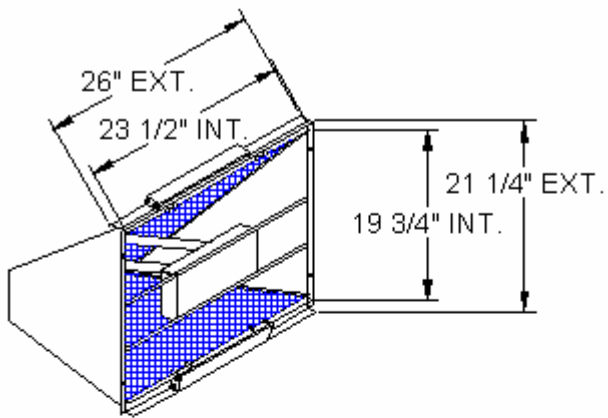


2" PANEL V- BANK MODEL P-224 WITH UV LAMP



ELECTRICAL SPECIFICATIONS

Main Supply : 120 VAC / 60 Hz
220 VAC / 50 Hz
Onboard Voltage: 24 VAC
Supplied By External Transformer.
High Voltage Electrode: 7 kW
Supplied By

ELECTRO BREEZE air cleaner Ltd