

**Installation Instructions**

**Safety Precautions:**

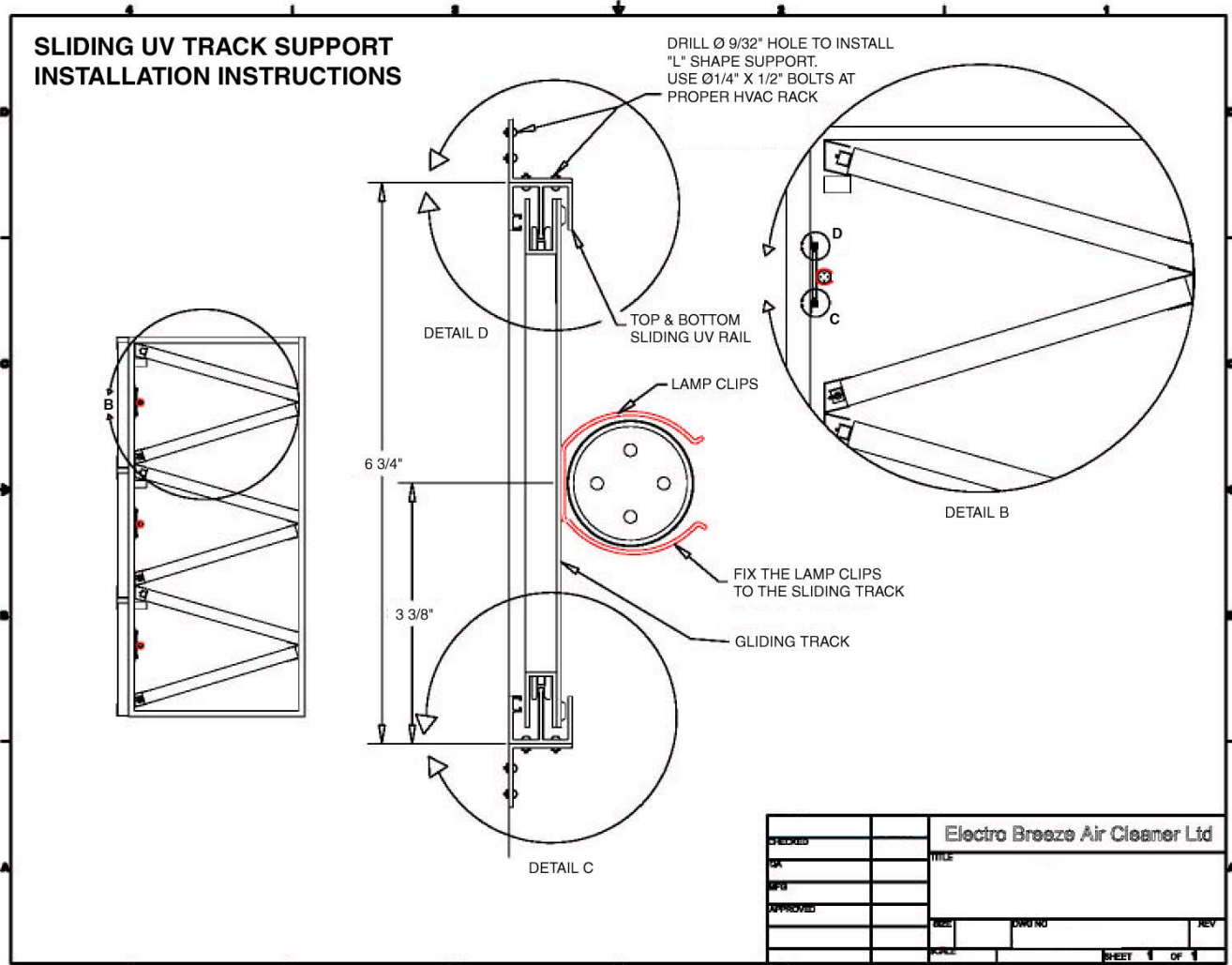
- It is recommended that a trained technician install and maintain this unit.
- To prevent electrical shock, always Disconnect power before servicing.
- Never look at the UV light, turn off the power of the UV unit before servicing.

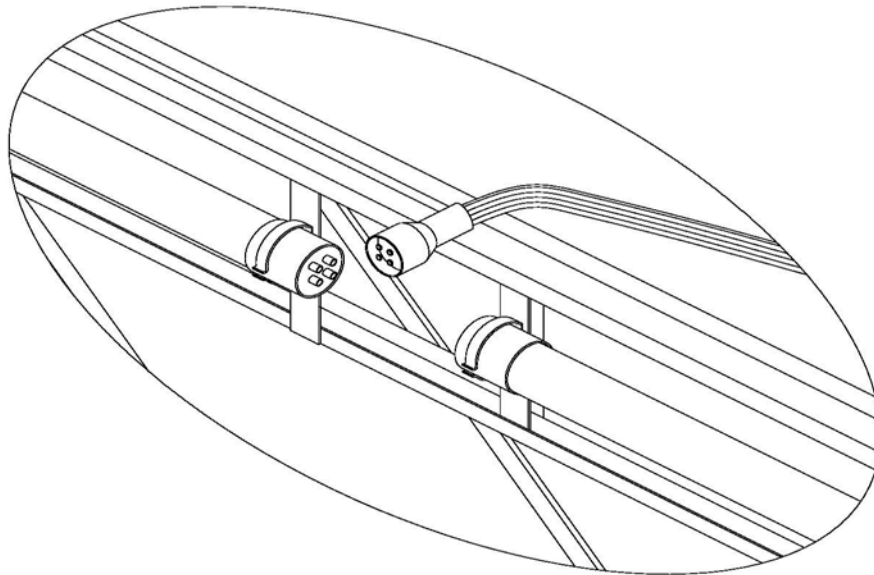
**Installation Instructions:**

- 1-Mount the Sliding UV rack in the middle of the "U" shape electronic air panel. (see drawing detail B)
- 2-Use the supplied mounting bracket L shape using the U shape railing supplied in the kit. Install these L shape bracket with 1/4 x 1/2 inch stove bolts with nuts. Mount these bracket to desire mounting location. There should be 6 3/4 inch a part of each other.
- 3-Mount the lamp clips such that the clips are positioned on the two ceramic ends of the lamp. Be careful when inserting the lamp into the clip to prevent it from slamming into the base of the clips as the ceramic ends of the lamp are fragile. Follow the included instructions on wiring connections.(see drawing.)

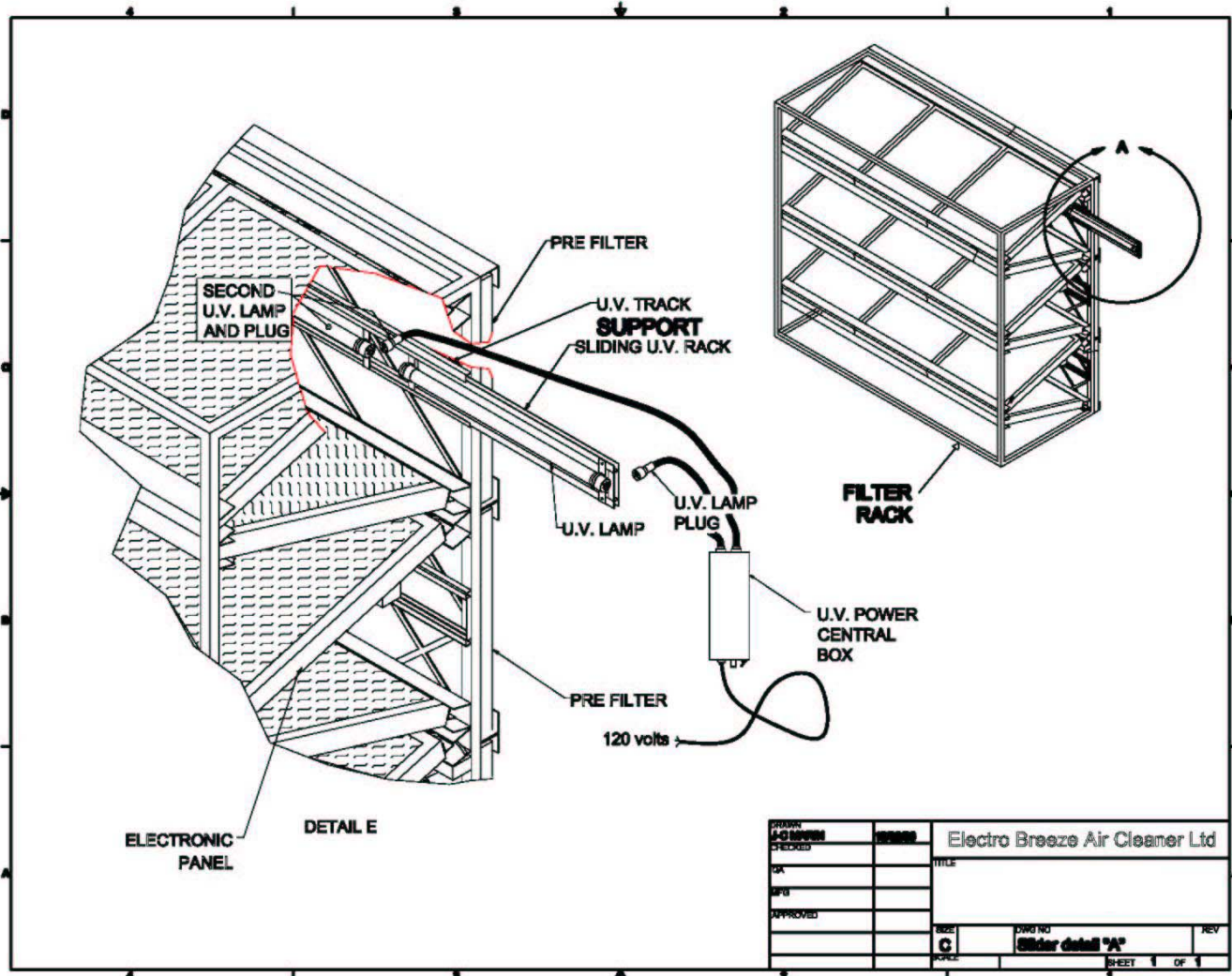
**The kit includes the following material.**

- UV sliding railing (2 per set)
- UV sliding track
- L shape bracket ( 2 per set.)
- Lamps clips (2 per lamp.)





HOW TO CONNECT LAMPS



DRAWN	DATE	Electro Breeze Air Cleaner Ltd	
CHECKED		TITLE	
QA			
APPROVED			
		SIZE	DWG NO
		C	Slider detail "A"
			REV
			SHEET 1 OF 1